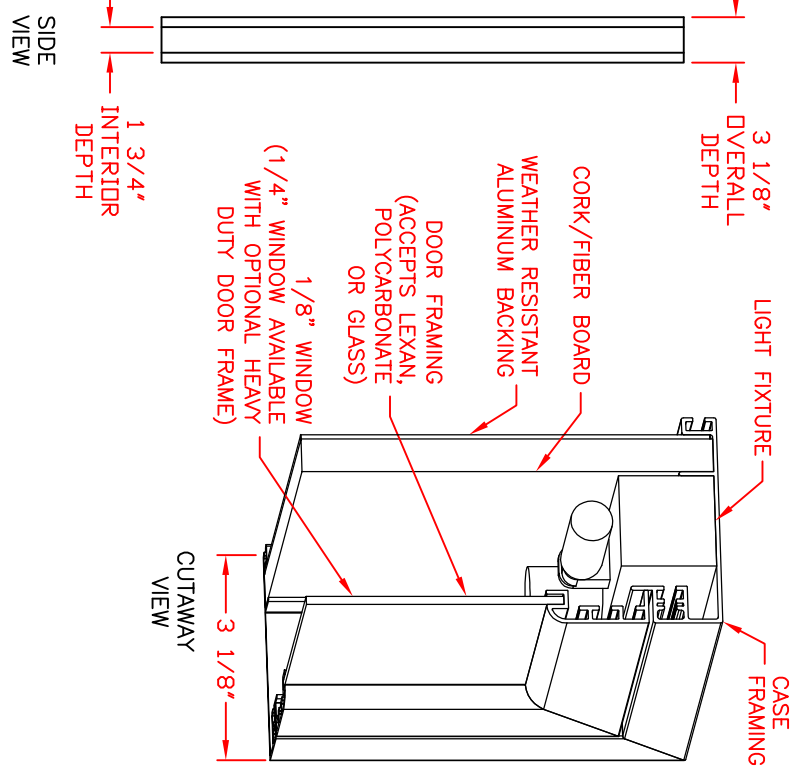


FRONT VIEW



SIDE VIEW

CUTAWAY VIEW

- Notes:
1. Includes cam lock(s) with two keys.
 2. Anodized aluminum alloy 6063T6 construction with a satin finish.
 3. All corners are mitered and reinforced with locking corner brackets.
 4. Shatter resistant 1/8" D acrylic window.
 5. Weather resistant aluminum backing with silicone sealant and drainage holes on bottom.
 6. Fixture is U.L. listed for outdoor usage.
 7. Board is top illuminated only.
 8. The ballast is attached to the top of the unit and will be covered by the framing.

United Visual Products, Inc.
 Phone. 1-800-444-0305
 Milwaukee, WI 53207-2649

Product: Outdoor Enclosed Illuminated Corkboard:
 Three Doors - UV4181
 Internal Surface: 1/32" Cork Laminated to 7/16" Fiberboard
 Date: 2/24/09 Scale: NTS Drawn By: JER Checked By: xxx